

- 1
- 2
- 3
- 4
- 5
- 6
- 7
- 8
- 9
- 10
- 11
- 12
- 13
- 14
- 15
- 16
- 17
- 18

SPECIFICATION

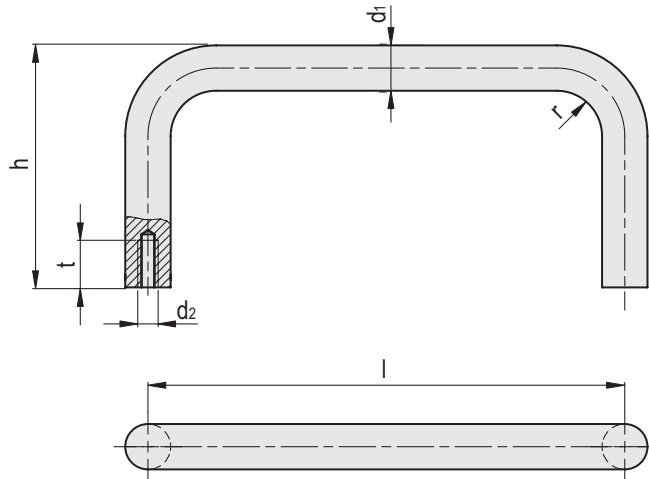
Stainless steel **NI**
 AISI 303
 matte shot-blasted **GS**
 coated in epoxy resin **SW**
 non tradotto

FEATURES AND APPLICATIONS

Stainless Steel-Cabinet U-handles GN 435, tall design, are made from bent round profiles and are designed for applications requiring more height for gripping. For example, this makes it possible to grab or hold the handle while wearing safety gloves.
 In addition to serving as a handle, it can also be used as a hose guide, retaining bracket or the like.
 Due to the manufacturing process, special designs can be supplied even in relatively small quantities.

ON REQUEST

- other dimensions
- other materials
- other finishes



Code	Description	d1	l±0.5	d2	h	r	tmin	⚖️
GN.63481	GN 435-NI-12-125-75-GS	12	125	M6	75	14	12	214
GN.63486	GN 435-NI-12-125-110-GS	12	125	M6	110	14	12	277
GN.63491	GN 435-NI-12-160-75-GS	12	160	M6	75	14	12	245
GN.63496	GN 435-NI-12-160-110-GS	12	160	M6	110	14	12	308
GN.63501	GN 435-NI-12-200-75-GS	12	200	M6	75	14	12	281
GN.63506	GN 435-NI-12-200-110-GS	12	200	M6	110	14	12	344
GN.63511	GN 435-NI-16-160-85-GS	16	160	M6	85	18	12	458
GN.63516	GN 435-NI-16-160-125-GS	16	160	M6	125	18	12	585
GN.63521	GN 435-NI-16-200-85-GS	16	200	M6	85	18	12	521
GN.63526	GN 435-NI-16-200-125-GS	16	200	M6	125	18	12	648
GN.63531	GN 435-NI-16-300-85-GS	16	300	M6	85	18	12	680
GN.63536	GN 435-NI-16-300-125-GS	16	300	M6	125	18	12	807
GN.63482	GN 435-NI-12-125-75-SW	12	125	M6	75	14	12	214
GN.63487	GN 435-NI-12-125-110-SW	12	125	M6	110	14	12	277
GN.63492	GN 435-NI-12-160-75-SW	12	160	M6	75	14	12	245
GN.63497	GN 435-NI-12-160-110-SW	12	160	M6	110	14	12	308
GN.63502	GN 435-NI-12-200-75-SW	12	200	M6	75	14	12	281
GN.63507	GN 435-NI-12-200-110-SW	12	200	M6	110	14	12	344
GN.63512	GN 435-NI-16-160-85-SW	16	160	M6	85	18	12	458
GN.63517	GN 435-NI-16-160-125-SW	16	160	M6	125	18	12	585
GN.63522	GN 435-NI-16-200-85-SW	16	200	M6	85	18	12	521
GN.63527	GN 435-NI-16-200-125-SW	16	200	M6	125	18	12	648
GN.63532	GN 435-NI-16-300-85-SW	16	300	M6	85	18	12	680
GN.63537	GN 435-NI-16-300-125-SW	16	300	M6	125	18	12	807

Handles